



Available with optional hanging screen system



Featuring the proven, high performing Sandvik CH430 Hydrocone

CLP Liners are designed to keep maximum feed size into the cone throughout the wear life of the liners. All liner options fit in one top shell.

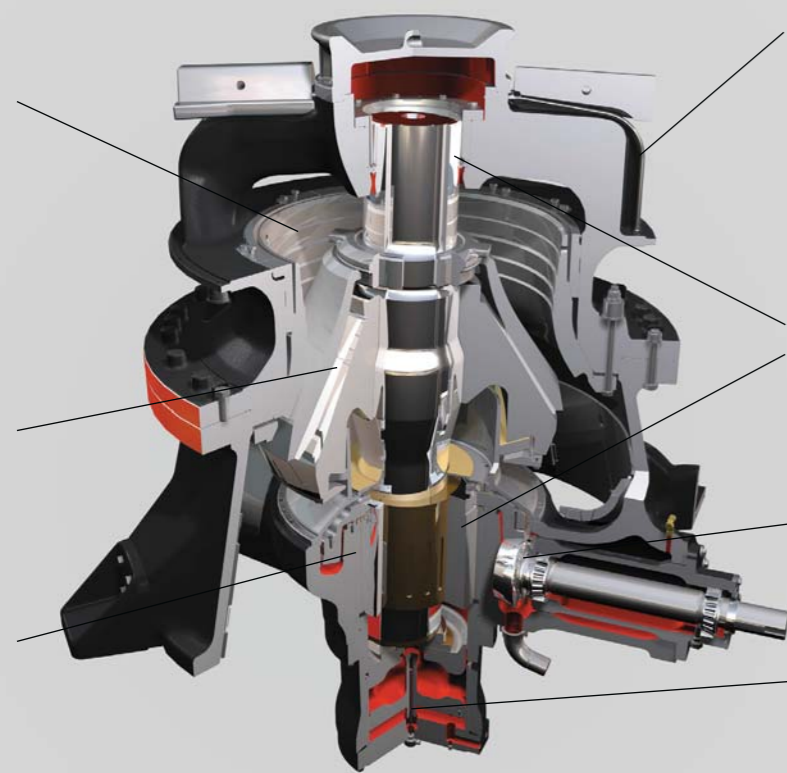
Constant liner opening results in constant production performance throughout liner life.

No crusher backing required.

Longer crushing chamber due to top & bottom support which gives superior product shape in the chamber.

Bush arrangement has multiple settings to suit the required application.

Eccentric throw can be changed by simply turning the bush. The throw range is the most extensive in the market.



Modular design with filler ring for ultimate flexibility.

Unique crusher design eliminates the need for anti-spin device on head.

Main Shaft is supported from both the Top and Bottom giving additional strength.

Helical drive gear arrangement for maximum durability and smooth operation.

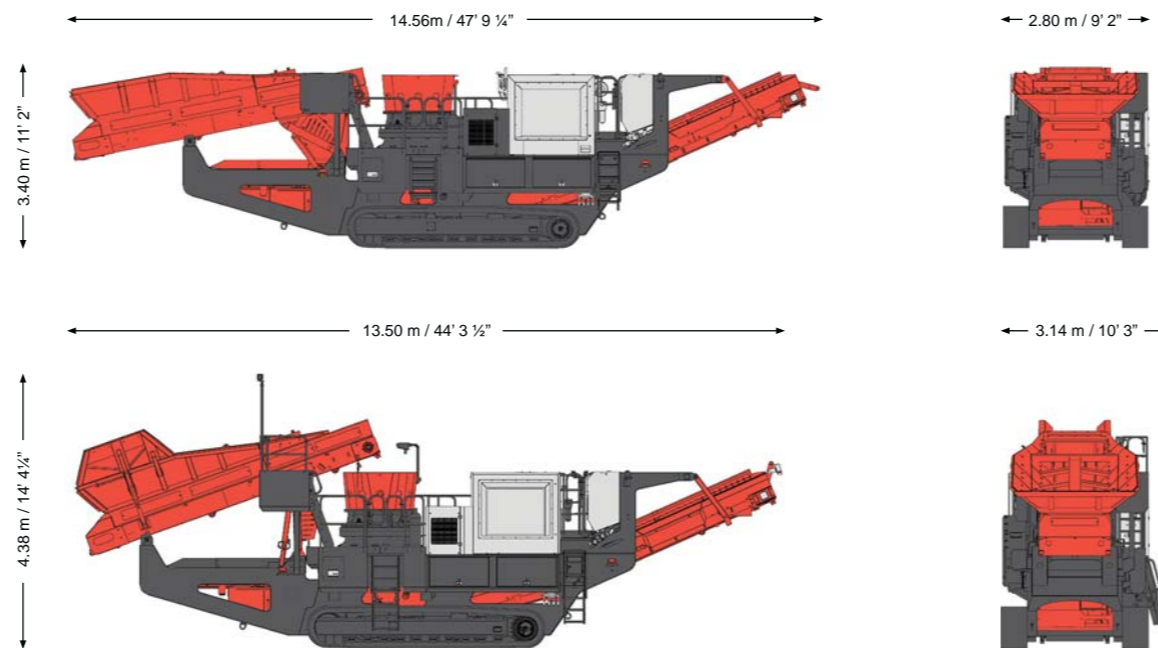
Single piston design for gap setting and over load protection. CSS can also be adjusted whilst crushing.

### Technical specifications

	QH331
<b>Crusher</b>	
Sandvik CH430 crusher	
Speed	369 - 390 rpm
CSS Range	6 - 41 mm / ¼" - 1½"
Drive	PT Tech 12" Wet Clutch with PTO
Drive Belts	8 SPC Belts

	QH331
<b>Powerpack</b>	
Engine	Stage 3A / Tier 3 CAT C9 Acert or Stage 3B / Tier 4i CAT C9.3 Acert
Engine Power	261 kW / 350 hp
Diesel Tank Capacity	660 litres / 174 US Gal
Hyd Tank Capacity	660 litres / 174 US Gal

Note. All weights and dimensions are for standard units only



Standard weight 32,800 kg / 72,312 lbs



SANDVIK CONSTRUCTION MOBILE CRUSHERS AND SCREENS LTD  
 HEARTH COTE ROAD, SWADLINCOTE, DERBYSHIRE, DE11 9DU, ENGLAND  
 T: +44 (0) 1283 212121 F: +44 (0) 1283 818210 info.mobilecs@sandvik.com www.sandvikmobiles.com

The material in this brochure is of general application for information and guidance only, and no representation or warranty is made or given by the manufacturer that its products will be suitable for a customer's particular purpose and enquiry should always be made of the manufacturer to ensure such suitability. Whilst every effort has been made in the preparation of this document to ensure its accuracy, the manufacturer assumes no liability resulting from errors or omissions in this document, or from the use or interpretation of the information contained herein. The manufacturer reserves the right to make changes to the information in this brochure and the product design without reservation and without notification to users.

BB-328-ENG rev3 © Sandvik Construction 2013 SANDVIK is a registered trademark owned by Sandvik Intellectual Property AB in Sweden and other countries

# QH331 Hydrocone Mobile Crusher

## E-motion

A world leading cone crusher



# QH331 Hydrocone Mobile Crusher

## Engineering in motion

### KEY SPECIFICATIONS

<b>EQUIPMENT</b>	Sandvik CH430 Hydrocone
<b>MAXIMUM FEED SIZE</b>	185 mm / 7 1/4"
<b>ENGINE</b>	C9 / C9.3 Acert 261 kW / 350 hp
<b>TRANSPORT DIMENSIONS</b>	14.56m / 47' 9 1/4" (l) 2.80m / 9' 2 1/4" (w) 3.40m / 11' 1 3/4" (h)
<b>WEIGHT</b>	32,800 kg / 72,312 lbs

### HIGH QUALITY CONE CRUSHING

The QH331 is aimed at the operator looking for a compact, robust and high quality mobile cone crusher.

It is fitted with the Sandvik CH430 cone crusher, which comes with a choice of six different crushing chambers and various bush settings making it one of the most flexible cone crushers in the market today.

The CH430 cone is equipped with a Hydroset CSS regulation system that optimises production and keeps track of liner wear. The new direct drive system has replaced the previous hydraulic drive which provides the QH331 a more efficient use of power and consequently enhances its operational capabilities and lowers fuel consumption.

### FEATURES INCLUDE:

- Emissions compliant 261 kW / 350 hp engine for powerful cost efficient performance
- Camera overseeing the crushing chamber allows the operator full visibility of the feed material entering the crushing chamber
- A level sensor above the crushing chamber controls the automated variable speed feed conveyor to ensure maximum production, reduction and shape
- Capable of operating in the most hostile environments with a 50°C ambient temperature capability with just a change of lubrication oil
- Fully compliant with the latest Machinery Directives
- Designed for optimum fuel economy and low operating costs.

#### Feeder

- Automated variable speed feed conveyor to ensure maximum production, reduction and shape
- Bridge Coil (up and over) metal detector fitted to the feed conveyor providing optimum stability and controlled detection

#### Hopper

- Reinforced hydraulically folding hopper
- Improved level sensor control system for the feeder drive to ensure continuous uninterrupted crushing
- Wear resistant liner plates (optional)
- Hydraulic folding hopper extensions for increased hopper capacity and rear loading (optional)

#### Chassis

- Heavy duty fabricated chassis on a tracked frame

#### Tracks

- 500 mm / 20" wide tracks driven by umbilical control / radio remote (optional)

#### Cone

- Fitted with the proven CH430 Sandvik Hydrocone for strength and reliability
- Equipped with Hydroset CSS regulation system for optimum production & protection
- No crusher backing required behind the liners
- Various bush settings available to optimize product gradation and capacity
- Hydraulic over load system for tramp metal

#### Power Pack

- 261 kW / 350 hp emissions compliant engine
- Direct drive to ensure maximum power transfer for high production capacity
- Easy access for service and maintenance
- Ground level drainage points
- Large capacity diesel tank 660 litre / 174 US Gal

#### Hanging screen system (optional)

- 4 x 1.5 m / 13' x 5' single deck screen for recirculation back to feed conveyor, or stockpiling through 90° rotation of oversize conveyor to produce two products
- Extended conveyor fitted as standard with HS option

#### Main Conveyor

- 1000 mm / 39 1/2" wide main conveyor with a discharge height of 3078 mm / 10'1"
- Dust suppression spray bars and canvas covers fitted as standard
- Extended 1.75 m / 5' 8 3/4" conveyor (optional) to increase the discharge height to 3.83 m / 12' 6 3/4"

#### Cooling fan

- Hydraulically driven cooling fan with auto reverse to back flush dust from radiator

#### Control system

- Highly efficient hydraulic and electric system provide ultimate system control
- A full colour PLC screen with a simple operator interface combined with a level sensor above the crushing chamber and load control system allows for a fully automated crushing process

#### Steel pipework

- Provides a safe and maintenance-free sealing solution, combined with better heat dissipation



Suitable for a wide variety of applications.



Quarrying application

Gritstone application

Hard rock application

### STANDARD FEATURES



Camera and level sensor to ensure continuous feed



Bridge coil metal detector for controlled detection



Direct drive for maximum fuel efficiency



Steel pipework for better heat dissipation



Easy access to the engine compartment



User friendly PLC control system with colour screen