

**L-SERIES CRAWLER DOZERS**  
**1150L / 1650L**

**CASE**  
CONSTRUCTION



**PERFECT**  
**EVERY MISSION**

[www.casece.com](http://www.casece.com)  
**EXPERTS FOR THE REAL WORLD**  
**SINCE 1842**

# BOOST YOUR PRODUCTIVITY



## POWER AND EFFICIENCY

Drawbar pulling leadership: the hydrostatic transmission and the common rail engine deliver best-in-class pulling capacity and controllability. All the working parameters can be customised by the driver for excellent machine controllability and faster cycle times. Productivity boosting electronics: the cab controls offer a wide choice of electronic settings and automated functions that make the driver's job easier. Together with the lowest noise level in the market, they minimise fatigue on long working days. Quick maintenance: the tilting cab provides an outstanding accessibility to all main components and enable you to service the L-Series from the ground for any extraordinary maintenance.



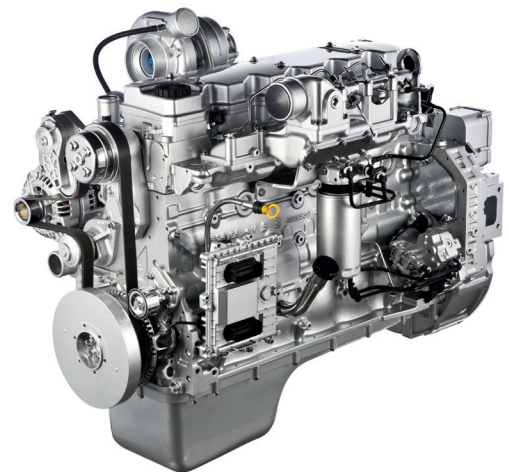
## FPT INDUSTRIAL TIER3 ENGINE

The state of the art common rail engine delivers top performance in load response, max torque, power and fuel economy.

The turbocharged engine with an Air-to-Air intercooler relies on well proven multi injection technology to maximise torque back-up and fuel efficiency with reduced engine noise and vibrations.

## NEVER ENDING POWER

The powerful FPT Industrial engine ensures high torque back-up under load. When the tractive effort grows and the rpm tends to drop, the engine power grows up to 16% till 1800 rpm. The result is constant performance and higher pulling capacity. In addition, the ability to work with high torque at lower engine rpm reduces engine wear.



## DUAL PATH HYDROSTATIC TRANSMISSION

The entirely re-engineered transmission offers best-in-class pulling capacity combined with the typical manoeuvrability of the hydrostatic solution. The triple reduction final drives ensure high torque on the ground, reducing the working pressure of the entire system and improving its overall efficiency.

## ROBUST UNDERCARRIAGE

The undercarriage featured on Case Crawler Dozers is designed for the toughest environments. Both 1150L and 1650L are available with the XLT tracks, to provide excellent drawbar pull force and perfect dozing and grading accuracy at the same time.

## PAT BLADE AS STANDARD ON BOTH MODELS

Thanks to the PAT (Power Angle Tilt) blade, operators can do the job faster, easier, with more comfort, increasing the machine productivity and the capability to work in very different applications/environments: it is the ideal solution for this class of dozers, that are used in residential, commercial, utility and roads and bridges site preparation work.

## EASY SERVICEABILITY – GROUND ACCESS AND TILTABLE CAB

Case Dozers are designed to grant ground access to all periodic service and check points, to ease the maintenance and extend machines life. Furthermore, the tiltable cab provides full accessibility of all main components even in case of any extraordinary service maintenance.



# PRODUCTIVITY

## BOOSTING ELECTRONICS



### AGILE AND STRONG

The operator has full control of the massive power of the L-Series Dozers. The electro-hydraulic joystick allows the operator to customise the reversing and steering sensitivity for faster and more efficient cycles. The decelerator pedal can be used either to reduce the travel speed only or travel speed and engine rpm.



### ADJUSTABLE BLADE PITCH

The low-effort blade hydraulics feature powerful cylinders able to move the blade with ease and control. The mechanical pitch blade can be set between 50 to 60 degrees to suit every dozing application and ground condition.



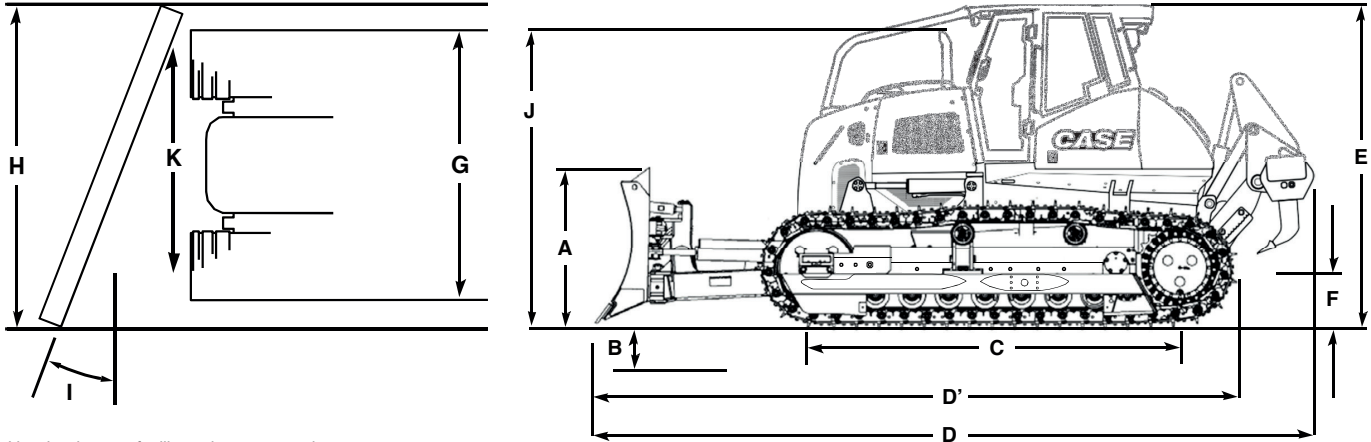
### UNMATCHED VISIBILITY

The L-Series cab is engineered for operator performance, comfort and safety. Thanks to the excellent visibility, the operator can work with confidence and more productively in every operation.

The air suspended seat is easy to adjust, providing every operator with a perfect working position. The powerful air conditioning system combined with the best-in-class noise level provide an excellent working environment, reducing operator stress during long working days.

# SPECIFICATIONS

## GENERAL DIMENSIONS



Line drawings are for illustrative purpose only and may not be exact representation of unit.

## 1150L

### DIMENSIONS

	XLT (extra-long track)
A. Blade height	1120 mm
B. Depth of the blade in the ground	483 mm
C. Length of the track on the ground	2590 mm
D. Length of the blade in the straight position and ripper	5973 mm
D'. With blade in the straight position and draw bar	5025 mm
E. Height to top of cab	2882 mm
F. Ground clearance	379 mm
G. Width to the ends of the tracks	2286 mm
H. Width of the blade at a maximum angle	2787 mm
Width of the blade fully placed on the ground	3048 mm

### DIMENSIONS

	XLT (extra-long track)
I. Blade angle of attack	25°
J. Height of the exhaust	2849 mm
K. Track Gauge	1778 mm
Width of the shoe	508 mm
Area of the track on the ground	26323 cm <sup>2</sup>
Pressure on the ground	0.47 kgf/cm <sup>2</sup>
SAE blade capacity	2.9 m <sup>3</sup>
Elevation of the blade over the ground	965 mm
Blade oscillation (up to 8.3°)	439 mm

## 1650L

### DIMENSIONS

	XLT (extra-long track)
A. Blade height	1183 mm
B. Depth of the blade in the ground	490 mm
C. Length of the track on the ground	3050 mm
D. Length of the blade in the straight position and ripper	6637 mm
D'. With blade in the straight position and draw bar	5482 mm
E. Height to top of cab	3057 mm
F. Ground clearance	347 mm
G. Width to the ends of the tracks	2438 mm
H. Width of the blade at a maximum angle	2810 mm
Width of the blade fully placed on the ground	3175 mm

### DIMENSIONS

	XLT (extra-long track)
I. Blade angle of attack	25.7°
J. Height of the exhaust	2884 mm
K. Track Gauge	1880 mm
Width of the shoe	559 mm
Area of the track on the ground	34093 cm <sup>2</sup>
Pressure on the ground	0.47 kgf/cm <sup>2</sup>
SAE blade capacity	3.5 m <sup>3</sup>
Elevation of the blade over the ground	950 mm
Blade oscillation (up to 8.3°)	450 mm

NOTE: Ground clearance and overall height dimensions are with the grousers fully penetrated. Add 52.5 mm if unit is on solid surface.

# 1150L

## CRAWLER DOZER XLT

### ENGINE

Model	FPT Industrial Engine F4HE9684K Tier 3 regulations
Cylinders	6
Displacement	6,7 L
Fuel injection	Direct common rail
Fuel filter	Screw-on, with screen
Cooling	Liquid
Engine speeds	RPM
High idle - no load	2200 +/- 50
Rated - full load	2200
Low idle	800 +/- 25
<b>Horsepower SAEJ1349</b>	
Net	118 hp (88 kW) @ 2200rpm
Gross	130 hp (97 kW) @ 2200rpm

#### Engine lubrication

"Forced lubrication" with oil jet piston refrigeration system

#### Pump operating angle ratings

Side-to-side	45°
Fore and aft	45°

#### Radiator

Core size area	0.61 m <sup>2</sup>
Rows of tubes	4

#### Fan

Diameter	660 mm
Propeller	Belt mechanical drive

### TRANSMISSION COOLING

Type	Heat exchange
Core size	0.54 m <sup>2</sup>

### ELECTRICAL SYSTEM

Alternator	65 amps
Batteries(2)	2x 12 V in series, maintenance free. 750 A CCA at -18°C

### POWER TRAIN

#### Dual path hydrostatic

Pump	Variable axial piston
Motor	Variable bent axis piston
Max. drawbar pull	214 kN
Transmission	Single lever control electronic straight tracking
Oil filter	4 micron, spin-on, replaceable

#### Travel speeds

Forward	0 - 9.7 km/h
Reverse	0 - 9.7 km/h
	SAHR Parking brake

(Spring Applied Hydraulically Released)

Steering brakes	Hydrostatic
Final drive	2 helical gear reductions to planetary reduction
Reduction ratio	61.4:1

### HYDRAULICS

Pump flow @ 2200 RPM	132 L/min
Max pressure	207 bar
Lift cylinder PAT	nr.2
Bore diameter	108 mm
Rod diameter	50.8 mm
Stroke	445 mm
Angle cylinder PAT	nr.2
Bore diameter	127 mm
Rod diameter	63.5 mm
Stroke	381 mm
Tilt cylinder PAT	nr.1
Bore diameter	127 mm
Rod diameter	63.5 mm
Stroke	120 mm

### OPERATOR ENVIRONMENT

Cab ROPS/FOPS with air-conditioning - single joystick for speed and direction - adjustable seat upholstered with cloth and air suspension - 50.8 mm (2") retractable seatbelt - adjustable arm rests - two foot rests - rear view mirror - three windshield wipers - a dome light - 12 V connector for accessories - padded roof - floor mats.

#### Warning lights

Air filter, - alternator - failure diagnosis indicator - engine cooling fluid temperature - engine oil pressure - hydraulic filter - low fuel - emergency brake on - maintenance service indicator - transmission filter - transmission load pressure.

#### Indicators

Battery voltage - fuel level - digital hour meter/ tachometer/diagnosis/ service reminder - transmission oil temperature - transmission speed indicator - cooling fluid temperature.

#### Audible alarms

Engine cooling fluid temperature - engine oil pressure - low fuel - hydraulic/hydrostatic system oil temperature.

### OPERATING WEIGHT

Unit equipped with a cab, full fuel tank, 77 kg operator, frontal pull hook, track guides, PAT blade.

	<b>WEIGHT (KG)</b>
Extra Long Tracks (XLT)	13625 kg
<b>ADD-ON WEIGHTS</b>	<b>WEIGHT (KG)</b>
Drawbar	66 kg
Ripper	1043 kg
Roller protection	134 kg

### BLADE

Variable blade pitch - adjustable	55° to 60°
Lift speed - per second	483 mm
Cutting edge	Reversible, replaceable
- Width	200 mm
- Length	2158 mm
- Thickness	19.1 mm

### UNDERCARRIAGE

Track adjustment	by grease injection
Frame	Two-tier chassis, manufactured in structural steel
Track link pitch	175.4 mm
Track shoe height	51 mm
Pin diameter	36.6 mm
Bushing diameter	62 mm
Track shoes per side	43
Track rollers per side	7
Carrier rollers per side	2
Track roller rail diameter	190 mm

### TRACK ON GROUND

Shoe width	508 mm
Tracks on ground	26323 cm <sup>2</sup>

### RIPPER

Max. penetration	478 mm
Width	1711 mm
Cut width	1635 mm
Max. ground clearance	424 mm
Max. number of shanks	3
Tooth spacing w/3 teeth	785 mm
Hydraulic cylinder	Double-acting
Diameter	102 mm
Stroke	254 mm
Rod	51 mm

### SERVICE CAPACITY

Fuel Tank	300 L
Engine oil w/ filter	16.4 L
Engine oil w/o filter	15.6 L
Engine cooling system	25.5 L
Hydraulic reservoir	98.4 L
Final drive - per side	14.2 L
Track rollers - each	0.330 L
Front idlers - each	0.460 L
Carrier rollers - each	0.275 L

# 1650L CRAWLER DOZER XLT

## ENGINE

Model	FPT Industrial Engine F4HE9684U Tier 3 regulations
Cylinders	6
Displacement	6,7 L
Fuel injection	Direct common rail
Fuel filter	Screw-on, with screen
Cooling	Liquid
Engine speeds	RPM
High idle - no load	2200 +/- 50
Rated - full load	2200
Low idle	800 +/- 25
<b>Horsepower SAEJ1349</b>	
Net	144 hp (107 kW) @ 2200 rpm
	156 hp (116 kW) @ 2200 rpm

### Engine lubrication

"Forced lubrication" with oil jet piston refrigeration system

### Pump operating angle ratings

Side-to-side	45°
Fore and aft	45°

### Radiator

Core size area	0.61 m <sup>2</sup>
Rows of tubes	4

### Fan

Diameter	660 mm
Propeller	Belt mechanical drive

## TRANSMISSION COOLING

Type	Heat exchange
Core size	0.54 m <sup>2</sup>

## ELECTRICAL SYSTEM

Alternator	65 amps
Batteries(2)	2x 12 V in in series, maintenance free. 750 A CCA at -18°C

## POWER TRAIN

	<b>Dual path hydrostatic</b>
Pump	Variable axial piston
Motor	Variable bent axis piston
Max. drawbar pull	275 kN
Transmission	Single lever control electronic straight tracking
Oil filter	4 micron, spin-on, replaceable
<b>Travel speeds</b>	
Forward	0 - 9.7 km/h
Reverse	0 - 9.7 km/h
	SAHR Parking brake
(Spring Applied Hydraulically Released)	
Steering brakes	Hydrostatic
Final drive	2 helical gear reductions to planetary reduction
Reduction ratio	61.4:1

## HYDRAULICS

Pump flow @ 2200 RPM	132 L/min
Max pressure	207 bar
Lift cylinder PAT	nr.2
Bore diameter	88.9 mm
Rod diameter	50.8 mm
Stroke	826 mm
Angle cylinder PAT	nr.2
Bore diameter	101.6 mm
Rod diameter	50.8 mm
Stroke	508 mm
Tilt cylinder PAT	nr.1
Bore diameter	127 mm
Rod diameter	63.5 mm
Stroke	135 mm

## OPERATOR ENVIRONMENT

Cab ROPS/FOPS compartment with air-conditioning - single joystick for speed and direction - adjustable seat upholstered with cloth and air suspension - 50.8 mm (2") retractable seatbelt - adjustable arm rests - two foot rests - rear view mirror - three windshield wipers - a dome light, - 12 V connector for accessories - padded roof - floor mats.

### Warning lights

Air filter - alternator - failure diagnosis indicator, - engine cooling fluid temperature - engine oil pressure - hydraulic filter - low fuel - emergency brake on - maintenance service indicator - transmission filter - transmission load pressure.

### Indicators

Battery voltage - fuel level - digital hour meter/tachometer/diagnosis/ service reminder - transmission oil temperature - transmission speed indicator - cooling fluid temperature.

### Audible alarms

Engine cooling fluid temperature - engine oil pressure; - low fuel - hydraulic/hydrostatic system oil temperature.

## OPERATING WEIGHT

Unit equipped with a compartment, full fuel tank, 77 kg (170 lb) operator, frontal traction hook, track protection, PAT blade, rear drawbar pull.

	<b>WEIGHT(KG)</b>
Extra Long Tracks (XLT)	17960 kg
<b>ADD-ON WEIGHTS</b>	<b>WEIGHT (KG)</b>
Drawbar	66 kg
Ripper	1600 kg
Roller protection	242.2 kg

## BLADE

Variable blade pitch - adjustable	55° to 60°
Lift speed - per second	483 mm
Cutting edge	Reversible, replaceable
- Width	200 mm
- Length	2352 mm
- Thickness	20 mm

## UNDERCARRIAGE

Track adjustment	Grease injection
Frame	Two-tier chassis, manufactured in structural steel
Track link pitch	190 mm
Track shoe height	56 mm
Pin diameter	38.5 mm
Bushing diameter	65 mm
Track shoes per side	45
Track rollers per side	8
Carrier rollers per side	2
Track roller rail diameter	203 mm

## TRACK ON GROUND

Shoe width	559 mm
Tracks on ground	34093 cm <sup>2</sup>

## RIPPER

Max. penetration	478 mm
Width	1985 mm
Cut width	1942 mm
Max. ground clearance	262 mm
Max. number of shanks	3
Tooth spacing w/3 teeth	940 mm
Hydraulic cylinder	Double-acting
Diameter	102 mm
Stroke	254 mm
Rod	51 mm

## SERVICE CAPACITY

Fuel Tank	300 L
Engine oil w/ filter	16.4 L
Engine oil w/o filter	15.6 L
Engine cooling system	25.5 L
Hydraulic reservoir	98.4 L
Final drive - per side	14.2 L
Track rollers - each	0.275 L
Front idlers - each	0.225 L
Carrier rollers - each	0.334 L

# STANDARD AND OPTIONAL

## STANDARD

### ENGINE

FPT Industrial engine NEF Family  
Fan belt automatic tensioner  
Engine oil cooler  
Fuel filter  
Dual element radial seal air cleaner  
Turbine type pre-filter  
65 A alternator  
Battery (2) 12V 750 A CCA  
Cooling system with radiators protected against possible sand projection  
Excellent access for maintenance by panels on the sides of the engine

### POWER TRAIN

2-way closed circuit with automatic speed variation with hydrostatic drive and electric control that adjusts the power and speed independently for each tread while turning or counter-rotating

### FINAL COMMANDS

Triple reduction of final commands  
SAHR type parking brake (applied by spring and released by hydraulic pressure)

### UNDERCARRIAGE

Hydraulic adjustment of the tracks through grease injection  
CASE Lubricated Treads (CLT)  
Sealed and lubricated pins, upper and lower rollers sealed and lubricated  
Front and rear track guides

### BLADE

With manual inclination adjustment from 55° to 60°  
Blade control with a single lever (electric-hydraulic) on the right side of the operator, with infinitely variable positions to control the six blade functions (up, down, angled to the left and right, tilt to the left and right)

### OPERATOR ENVIRONMENT

Cab ROPS/FOPS with A/C  
Single joystick for speed and direction  
Adjustable seat  
Adjustable arm rests  
50,8 mm (2") retractable seatbelt

### OTHER

Anti-vandalism package  
Audible reverse gear warning  
Horn  
2 frontal lights  
1 rear light  
Master key  
Mirror  
Frontal tow hook  
Frontal transmission protection

## OPTIONS

### REAR MOUNTED EQUIPMENT

Rear draw bar  
Ripper with 3 shanks

### GUARDS

CAB canopy brush guard

### OTHER

Drains that protect the environment while changing fluids  
Intake air heater for ignition in cold climates  
Additional work lights totaling four in the front and two in the back  
Rearview mirror

### OPERATOR ENVIRONMENT

Rear windshield wiper  
Radio

## CASE STANDARD WARRANTY

### 3 YEARS / 5,000 HOURS

CASE standard warranty is designed to keep your equipment working well while taking away the concerns of the cost and inconvenience of mechanical failure.

**CASE CONSTRUCTION EQUIPMENT  
CONTACT INFORMATION  
AUSTRALIA**  
31-53 Kurrajong Road  
St Marys, NSW 2760

**CASE** Customer Assistance  
1300 99 CASE

**NOTE:** CASE provides specific outfits for various countries and many optional fittings (OPT). The illustrations on this or other leaflets may relate to standard or optional fittings. Please consult your CASE dealer for any information in this regard and any possible updating on components. CNH Industrial reserves the right to modify machine specifications without incurring any obligation relating to such changes.

**CaseCe.com**  
**EXPERTS FOR THE REAL WORLD**  
**SINCE 1842**